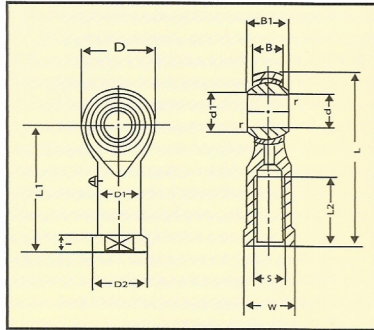


## Maruti PHS (std. type) Female Rod Ends (Metric Series)

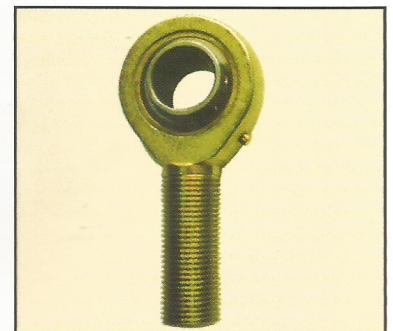
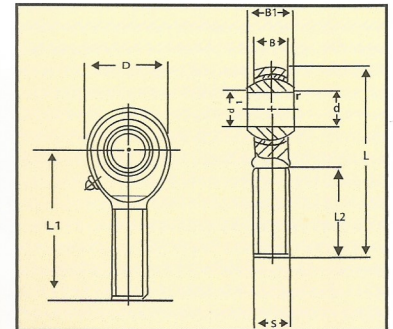


Rod -end number	Mass (Ref.) g	Dimensions in inches (mm)													Ball dia. inch (mm)	Radial static load capacity Cs kgf	
		d ISO H7	Thread S	D	B	O B1-.005	d1	L	L1	L2	I	W	D1	D2			r
PHS 5	16.5	5	M 5x0.8	16	6	8	7.7	35	27	14	4	9	9	11	0.5	7/16 (11.112)	560
PHS 6	25	6	M 6x1	18	6.75	9	9	39	30	14	5	11	10	13	0.5	1/2 (12.700)	690
PHS 8	43	8	M 8x1.25	22	9	12	10.4	47	36	17	5	14	12.5	16	0.5	5/8 (19.875)	1020
PHS 10	72	10	M 10x1.5	26	10.5	14	12.9	56	43	21	6.5	17	15	19	0.5	3/4 (19.050)	1340
PHS 12	107	12	M 12x1.75	30	12	16	15.4	65	50	24	6.5	19	17.5	22	0.5	7/8 (22.225)	1710
PHS 14	160	14	M 14x2	34	13.5	19	16.9	74	57	27	8	22	20	25	0.5	1 (25.400)	2110
PHS 16	210	16	M 16x2	38	15	21	19.4	83	64	33	8	22	22	27	0.5	1-1/8 (28.575)	2570
PHS 18	295	18	M 18x1.5	42	16.5	23	21.9	92	71	36	10	27	25	31	0.5	1-1/4 (31.750)	3060
PHS 20	380	20	M 20x1.5	46	18	25	24.4	100	77	40	10	30	27.5	34	0.5	1-3/8 (34.925)	3600
PHS 22	490	22	M 22x1.5	50	20	28	25.8	109	84	43	12	32	30	37	0.5	1-1/2 (38.100)	4240
PHS 25	750	25	M 24x2	60	22	31	29.6	124	94	48	12	36	33.5	42	0.5	1-11/16 (42.862)	7390
PHS 28	950	28	M 27x2	66	25	35	32.3	136	103	53	12	41	37	46	0.5	1-7/8 (47.625)	8850
PHS 30	1130	30	M 30x2	70	25	37	34.8	145	110	56	15	41	40	50	0.5	2 (50.800)	9380



## Maruti POS (std. type) Male Rod Ends (Metric Series)

Rod -end number	Mass (Ref.) g	Dimensions in inches (mm)										Ball dia. inch (mm)	Radial static load capacity Cs kgf
		d ISO H7	Thread S	D	B	O B1-.005	d1	L	L1	L2	r		
POS 5	12.5	5	M 5x0.8	16	6	8	7.7	41	33	20	0.5	7/16 (11.112)	320
POS 6	19	6	M 6x1	18	6.75	9	9	45	36	22	0.5	1/2 (12.700)	460
POS 8	32	8	M 8x1.25	22	9	12	10.4	53	42	25	0.5	5/8 (15.875)	860
POS 10	54	10	M 10x1.5	26	10.5	14	12.9	61	48	29	0.5	3/4 (19.050)	1340
POS 12	85	12	M 12x1.75	30	12	16	15.4	69	54	33	0.5	7/8 (22.225)	1710
POS 14	126	14	M 14x2	34	13.5	19	16.9	77	60	36	0.5	1 (25.400)	2110
POS 16	185	16	M 16x2	38	15	21	19.4	85	66	40	0.5	1-1/8 (28.575)	2570
POS 18	260	18	M 18x1.5	42	16.5	23	21.9	93	72	44	0.5	1-1/4 (31.750)	3060
POS 20	340	20	M 20x1.5	46	18	25	24.4	101	78	47	0.5	1-3/8 (34.925)	3600
POS 22	435	22	M 22x1.5	50	20	28	25.8	109	84	51	0.5	1-1/2 (38.100)	4240
POS 25	650	25	M 24x2	60	22	31	29.6	124	94	57	0.5	1-11/16 (42.862)	7390
POS 28	875	28	M 27x2	66	25	35	32.3	136	103	62	0.5	1-7/8 (47.625)	8850
POS 30	1070	30	M 30x2	70	25	37	34.8	145	110	66	0.5	2 (50.800)	9380



**QUALITY POLICY :** We at Maruti aim to deliver products of world class quality at reasonable price.