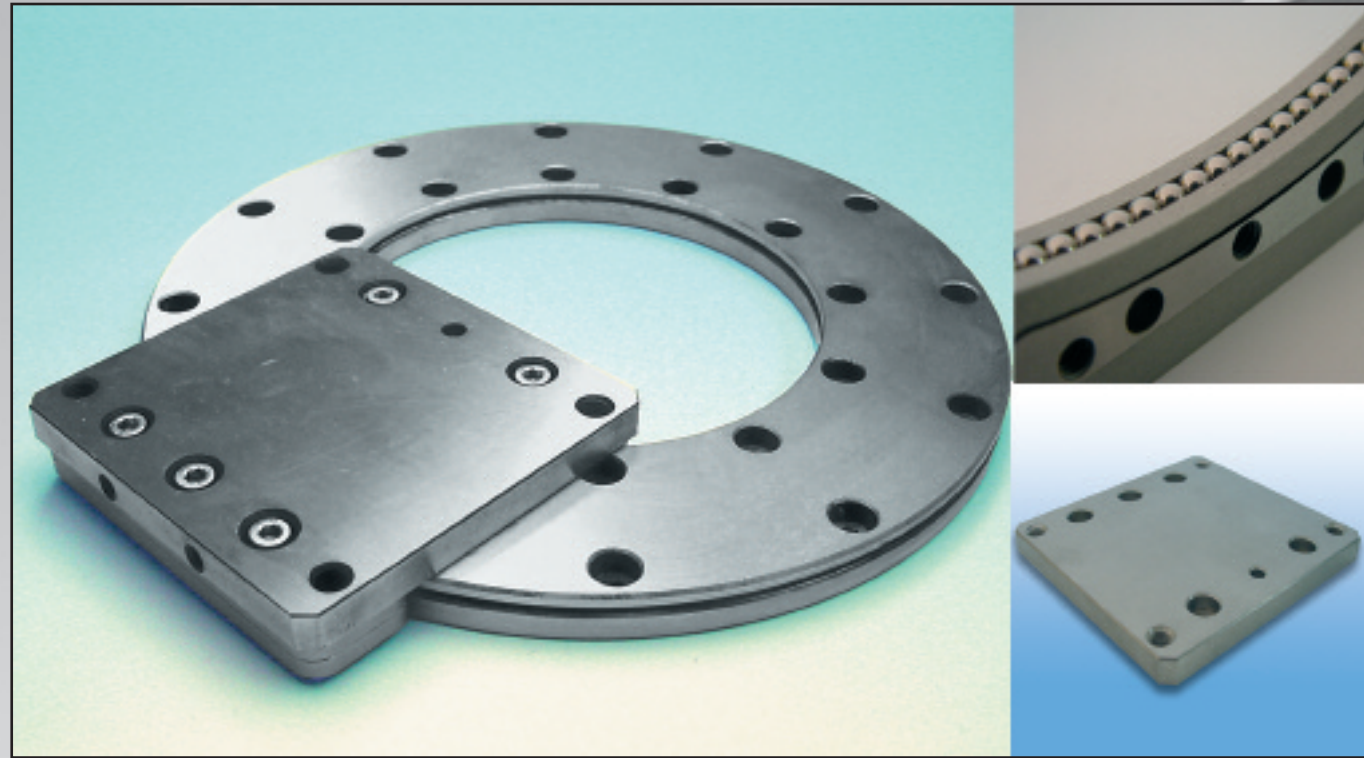


Ringslide RPM



Precision Ringslide RPM 3

Play-free pre-loaded circular movement, high running accuracy, reliability and a light and smooth motion are the main features of the RPM-frictionless ringslide. The compact size also makes a low construction possible. This simple but innovating design is based on state-of-the-art technology developed by the specialists of PM-BEARINGS.

RPME - Recirculating Units

RPME ball recirculating units are single row ball bearings for low to medium loads. The units can be used in every orientation. The main body is made of high quality stainless steel 1.4034 and through-hardened at 56 +/- 2Hrc and precision ground. The special designed return offers extremely smooth running characteristics.

For one set you need to order one inner and one outer recirculator.



RPM-2 row Trackrail

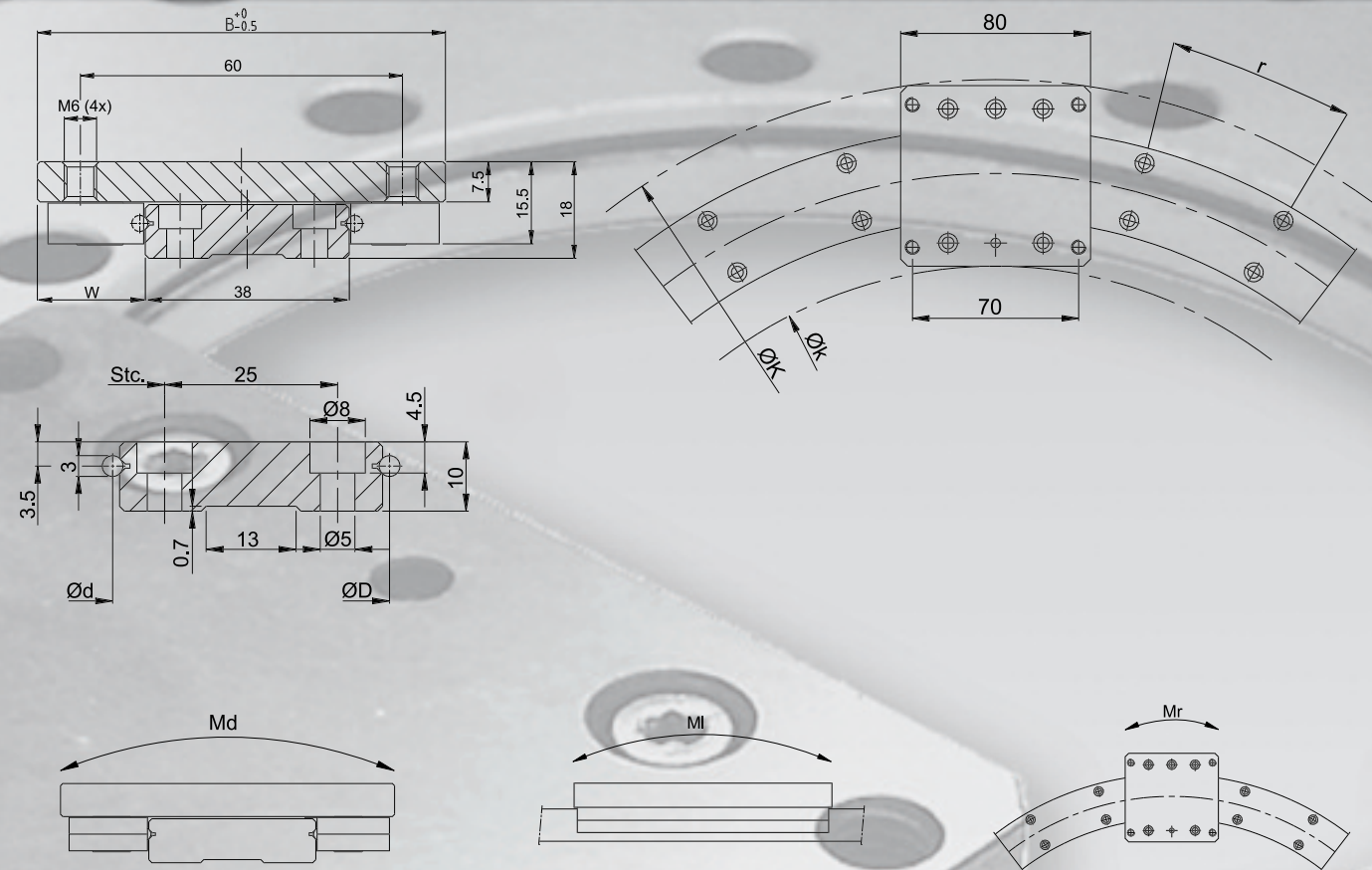
RPM rails are 2-row precision tracks providing space-saving solutions. They are standard manufactured from high quality stainless steel 1.4034, through-hardened 56 +/- 2Hrc. RPM guides can be mounted directly into the application.



RPMT - Slidingtable

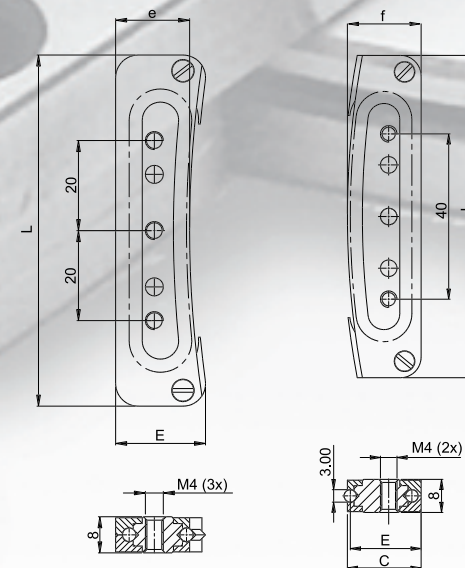
RPMT tables are used to attach and preload the recirculating units to the RPM rail. They are made of hardened stainless steel which allow the user to add custom holes easily. The tables include standard countersunk attachment holes for the recirculating units.

Tables are precision ground finished.



Type	Trackrail						Slide		Load Cdyn (N)	MI in Nm	Mr in Nm	Md in Nm
	ØD mm	Ød mm	Stc.	r	ØK	Øk	B	W				
RPM 3-10/18	180	100	115	30°	224	51	79					
RPM 3-12/20	200	120	135	30°	243	73	79					
RPM 3-22/30	300	220	235	15°	342	179	76	20	720	3.8	2.6	14.4
RPM 3-32/40	400	320	335	15°	440.5	280.5	76					
RPM 3-42/50	500	420	435	15°	381.5	381.5	76					

Cdyn : Basic dynamic load rating based on 100km travel (DIN 636 part 3 Europe standard)



Type	mm L	e	f	E
RPME 3-10/18		14.45	23.40	22
RPME 3-12/20		14.80	21.95	
RPME 3-22/30	78	15.70	19.20	20
RPME 3-32/40		15.95	18.30	
RPME 3-42/50		16	17.85	

The Benefits at a Glance

- Field tuning
- Very compact design
- All metall design
- Extreme smooth operation
- Simple and quick installation.

Ringslides showing excellent response in precise rotary or angular motion devices such as inspection machines for wafers or laser machining.

Technical Specifications

RPM precision ringslides...

- are available in sizes up to 500mm OD.
- are standard supplied in normal quality with max. 10 microns deviation in parallelism of the two raceways.
- offers a repeatability by the same operation conditions < 3 micron.
- can operate by temperatures -20°C up to +80°C.
- need to be lubricated with oil CLP DIN 51519 (viscosity between ISO-VG15 and ISO-VG100).
- need a minimum of lubrication.
- can be made to custom print or specifications.
- are made from stainless steel 1.4034 and through-hardened at 56 +/- 2Hrc.
- are supplied with light preload.
- are high precision components and need to be handled with extreme care.
- offer unexcelled running performance, long service life, and are easy to assemble.
- are very compact.

Are suitable for

- operating speeds up to 50 m/min.
- accelerations up to $a = 8 \text{ m/sec}^2$.



ADVANTAGE 1

Ultra-Smooth Motion

PM ringslides are designed for outstanding performance. The recirculating caps geometry in the RPM ringslide and the precision grind body fitting perfectly together. Therefore the displacement force is just only a few grams

ADVANTAGE 2

Simple Installation

The trackrails are delivered with a standard configuration of combination holes (countersunk + threaded). The bearings are factory mounted together, preloaded and lubricated and ready-to-install.

ADVANTAGE 3

All Metal Design

No seals or plastic components are used to rub, eliminating particulate.

ADVANTAGE 4

Adjustability

The use of individual components permits tuning of the RPM bearing preload in the field for different operation conditions and machine applications.

ADVANTAGE 5

Reduce Costs

PM ringslides are easy to install, needing minimum amount of lubrication, and minimal maintenance over their extremely long operating life.

Superior Quality

Incorporating PM ringslides into your application means that you can count on quality and reliability. Our standard rails and rolling elements are known for superior surface quality, our ringslides are matching the same high and unexcelled quality standards.

In 2005 PM was the first manufacturer who introduced ceramic linear bearings in the market. We do not only pay attention to surface finishing but we also pay a great attention to total quality. All our shipments are 100% inspected and tested for running performance and accuracy, before they leave our factory.

Focused on Innovation

Innovation and to be the best global linear bearing manufacturer at commercial pricing is our goal. Quality and service makes PM stand apart the competition.

All information and specifications shown in this brochure are based upon the latest available information at the time of printing. In line with our policy of continual product improvements PrecisieMetaal-Bearings BV reserves the right to make changes at any time, without notice, to design, material, specifications. PM-Bearings shall not be liable for any damages whatsoever, direct or indirect, based upon information in this brochure. For the latest details, please consult your local dealer.

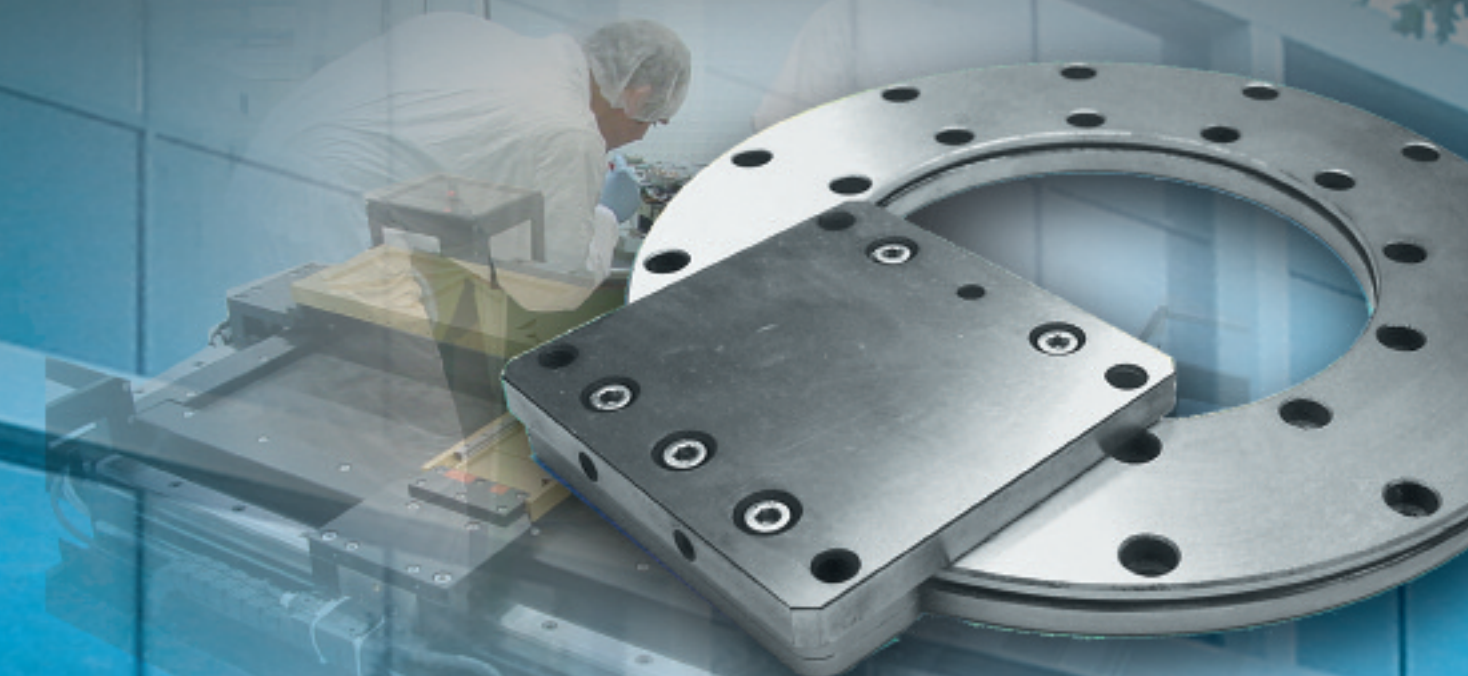


The Netherlands
PM - BEARINGS BV
Galileistraat 2, 7701 SK
Dedemsvaart, The Netherlands
Phone +31 (0)523 61 22 58
Fax +31 (0)523 61 52 90
E-mail info@pmbearings.nl

USA
PM - BEARINGS LLC
9355-A Founders Sr.
Fort Mill, SC 29708
Phone +1 803-396-5544
Fax +1 803-396-7810
E-mail info@pmbearings-usa.com

Singapore
PM - PBA Pte. Ltd.
157 Sin Ming Road
#02-01 Amtech Building
Singapore 575624
Phone +65-655 279 92
Fax +65-655 269 92
E-mail pm-pba@pba.com.sg

www.pmbearings.nl



Ringslides RPM

PM - BEARINGS

