

PRODUCTS & APPLICATION

K series

[K series \(/en.php/product/detail?id=52\)](/en.php/product/detail?id=52)

[N series \(/en.php/product/detail?id=53\)](/en.php/product/detail?id=53)

[RN series \(/en.php/product/detail?id=54\)](/en.php/product/detail?id=54)

K series

SWT/K series

4 to 6 high-strength bolts are applied by a SWT/K series lock nut. It is locked by the axial deformation of its thread. It is suitable for severe working environment where nuts may easily be loosened and high torque is required. Run out can be adjusted by adjusting the tightening force of the axial screw.

Material: 42CrMo,45#, 40Cr

Hardness: HRC28°—32°

Thread Precision: ISO4H

Run Out: 0.007mm

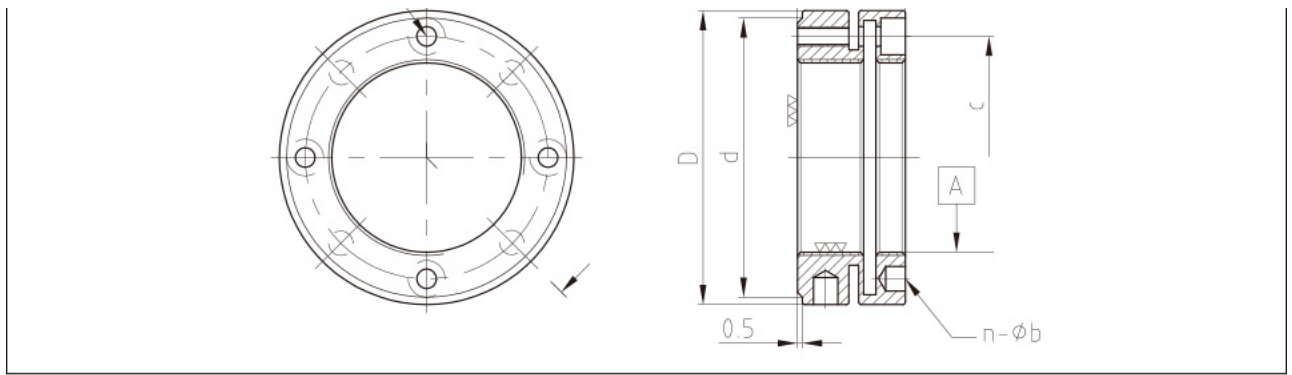
请您留言

Thread	D	h	d	n-M x L	c	n	b	MAX.Nm
--------	---	---	---	---------	---	---	---	--------

SWT/K M18x1.5P	38	18	34	4-M4x12	28	4	4	3.5
SWT/K M20x1.0P	40	18	36	4-M4x12	30	4	4	3.5
SWT/K M20x1.5P	40	18	36	4-M4x12	30	4	4	3.5
SWT/K M22x1.5P	42	18	38	4-M4x12	32	4	4	3.5
SWT/K M24x1.5P	44	18	41	4-M4x12	34	4	4	3.5
SWT/K M25x1.5P	45	20	41	4-M4x14	35	4	5	3.5
SWT/K M26x1.5P	45	20	41	4-M4x14	35	4	5	3.5
SWT/K M27x1.5P	46	20	43	4-M4x14	37	4	5	3.5
SWT/K M28x1.5P	46	20	43	4-M4x14	37	4	5	3.5
SWT/K M30x1.5P	48	20	45	4-M4x14	39	4	5	3.5
SWT/K M32x1.5P	50	20	47	4-M4x14	41	4	5	3.5
SWT/K M33x1.5P	50	22	47	4-M4x16	41	4	5	3.5
SWT/K M35x1.5P	53	22	50	4-M4x16	44	4	5	3.5
SWT/K M36x1.5P	53	22	50	4-M4x16	44	4	5	3.5
SWT/K M38x1.5P	56	22	53	4-M4x16	47	4	5	3.5
SWT/K M39x1.5P	56	22	53	4-M4x16	47	4	5	3.5
SWT/K M40x1.5P	58	22	55	4-M4x16	49	4	5	3.5
SWT/K M42x1.5P	60	22	57	4-M4x16	51	4	5	3.5
SWT/K M45x1.5P	68	22	63	6-M4x16	57	6	6	3.5
SWT/K M48x1.5P	69	25	65	6-M4x18	58	6	6	3.5
SWT/K M50x2.0P	70	25	66	6-M4x18	60	6	6	3.5
SWT/K M52x2.0P	72	25	68	6-M4x18	62	6	6	3.5
SWT/K M55x1.5P	75	25	71	6-M4x18	65	6	6	3.5
SWT/K M55x2.0P	75	25	71	6-M4x18	65	6	6	4.5
SWT/K M56x1.5P	82	26	77	6-M5x18	70	6	6	4.5
SWT/K M56x2.0P	82	26	77	6-M5x18	70	6	6	4.5
SWT/K M58x1.5P	82	26	77	6-M5x18	70	6	6	4.5
SWT/K M60x1.5P	84	26	79	6-M5x18	72	6	6	4.5
SWT/K M60x2.0P	84	26	79	6-M5x18	72	6	6	4.5
SWT/K M62x1.5P	86	28	82	6-M5x20	75	6	6	4.5
SWT/K M64x1.5P	86	28	82	6-M5x20	75	6	6	4.5
SWT/K M64x2.0P	86	28	82	6-M5x20	75	6	6	4.5
SWT/K M65x1.5P	88	28	84	6-M5x20	77	6	6	4.5
SWT/K M65x2.0P	88	28	84	6-M5x20	77	6	6	4.5
SWT/K M68x1.5P	93	28	89	6-M5x20	80	6	7	4.5
SWT/K M68x2.0P	93	28	89	6-M5x20	80	6	7	4.5
SWT/K M70x1.5P	95	28	89	6-M5x20	82	6	7	4.5
SWT/K M70x2.0P	95	28	89	6-M5x20	82	6	7	4.5
SWT/K M72x1.5P	97	28	91	6-M5x20	84	6	7	4.5
SWT/K M72x2.0P	97	28	91	6-M5x20	84	6	7	4.5

Remark: (1) The above data is just provided for reference, Jiangsu Swift Machinery Technology Co.,Ltd reserves the right to revise it.(2) 1NM=10.2kgf.cm=0.73lb.ft (3) Non-standard nut can be customized.





Thread	D	h	d	n-M × L	c	n	b	MAX.Nm
SWT/K M75x1.5P	100	28	94	6-M5x20	87	6	7	4.5
SWT/K M75x2.0P	100	28	94	6-M5x20	87	6	7	4.5
SWT/K M78x1.5P	110	32	102	6-M6x22	94	6	8	4.5
SWT/K M80x2.0P	110	32	103	6-M6x22	95	6	8	8
SWT/K M85x2.0P	115	32	108	6-M6x22	100	6	8	8
SWT/K M88x1.5P	120	32	112	6-M6x22	104	6	8	8
SWT/K M90x2.0P	120	32	113	6-M6x22	105	6	8	8
SWT/K M95x2.0P	125	32	118	6-M6x22	110	6	8	8
SWT/K M100x2.0P	130	32	123	6-M6x22	115	6	8	8
SWT/K M105x2.0P	135	32	128	6-M6x22	120	6	8	8
SWT/K M110x2.0P	140	32	133	6-M6x22	125	6	8	8
SWT/K M115x2.0P	145	34	138	6-M6x22	130	6	8	8
SWT/K M116x2.0P	145	34	138	6-M6x22	130	6	8	8
SWT/K M120x2.0P	155	36	146	6-M6x25	136	6	8	8
SWT/K M125x2.0P	160	36	150	6-M6x25	140	6	8	8
SWT/K M130x2.0P	165	36	156	6-M6x25	148	6	8	8
SWT/K M130x3.0P	165	36	156	6-M6x25	148	6	8	8
SWT/K M140x2.0P	180	38	168	6-M6x25	160	8	10	8
SWT/K M140x3.0P	180	38	168	8-M6x25	160	8	10	8
SWT/K M150x2.0P	190	38	178	8-M6x25	170	8	10	8
SWT/K M150x3.0P	190	38	178	8-M6x25	170	8	10	8
SWT/K M160x3.0P	205	40	193	8-M8x30	182	8	10	18
SWT/K M170x3.0P	215	40	204	8-M8x30	193	8	10	18
SWT/K M180x3.0P	230	40	216	8-M8x30	205	8	10	18
SWT/K M190x3.0P	240	40	226	8-M8x30	215	8	10	18
SWT/K M200x3.0P	245	40	234	8-M8x30	223	8	10	18
SWT/K M210x4.0P	265	40	253	8-M8x25	243	8	10	18
SWT/K M220x3.0P	265	40	255	8-M8x30	243	8	10	18
SWT/K M220x4.0P	265	40	253	8-M8x30	243	8	10	18
SWT/K M225x3.0P	275	42	260	8-M10x30	247	8	10	18

Spindle Lock nut Bearing block Wedge block Rotary table Hydraulic lock nut Accessory

请您留言

A Xuzhuang Park Road, Xingren Town, Tongzhou District, Nantong, Jiangsu, China
T +86-513-86222888 F +86-513-85650761

About Us

Product

Company Strength

Contact Us

Company Profile

(/en.php/about/index)

Company History

(/en.php/about/history)

Honors and Rewards

(/en.php/about/honor)

Our Customer

.....

Product Line

(/en.php/product/cate?

id=28)

Application Fields

(/en.php/product/app-list)

Solution

(/en.php/tech/solution?

type=1)

Technical Innovation

(/en.php/tech/innovation)

FAQ

(/en.php/tech/qanda)

.....

Careers

(/en.php/contact/job)

Location

(/en.php/contact/index)

Copyright(C)2009-2017 Jiangsu Swift Machinery Technology Co., Ltd 苏ICP备17027845号-1 (http://www.mitbeian.gov.cn/publish/query/indexFirst.action)

DESIGN BY HANSNBRAND (http://hansi