

PRODUCTS & APPLICATION

R series

[R series \(/en.php/product/detail?id=55\)](#)

[RN series \(/en.php/product/detail?id=54\)](#)

[N series \(/en.php/product/detail?id=53\)](#)

R series

SWT/R series

Locking method of SWT/R series employ 3-way radial locking. It is thinner, so is suitable for the installation that is restricted by thickness. In radial locking, brass locking pin is perpendicular to the male screw thread, axial load will easily be reduced due to excessive tightening torque.

Material: 42CrMo,45#, 40Cr

Hardness: HRC28°—32°

Thread Precision: ISO4H

Run Out: 0.005mm

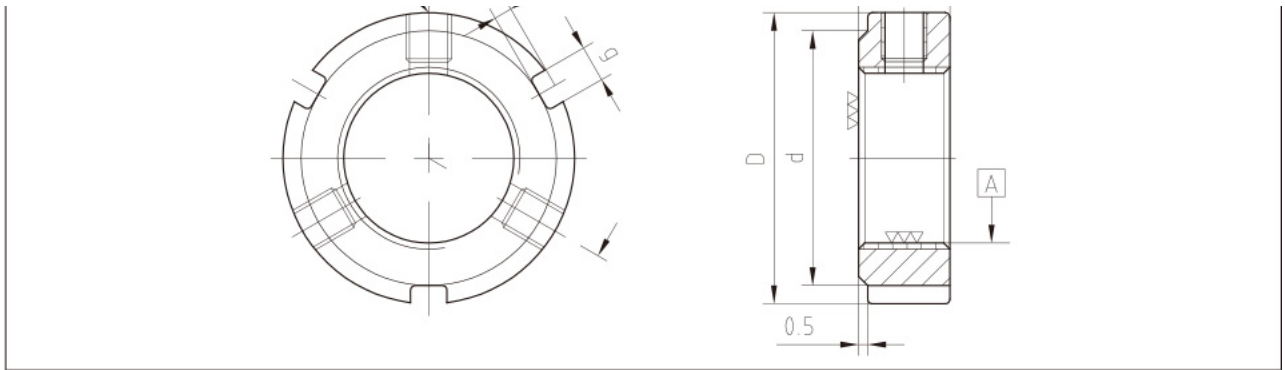
请您留言

Thread	D	h	n-g	t	d	n-m	MAX.Nm
--------	---	---	-----	---	---	-----	--------

SWT/R M8x0.75	16	8	3—3	1.6	13	2—M4	3.5
SWT/R M10x0.75	18	8	3—3	1.6	15	2—M4	3.5
SWT/R M10x1.0	18	8	3—3	1.6	15	2—M4	3.5
SWT/R M12x1.0	20	8	3—3	1.6	17	2—M4	3.5
SWT/R M12x1.25	20	8	3—3	1.6	17	2—M4	3.5
SWT/R M14x1.5	25	8	3—3	2	21	2—M4	3.5
SWT/R M15x1.0	25	8	3—3	1.8	21.5	2—M4	3.5
SWT/R M16x1.5	28	10	3—4	2	24	2—M5	4.5
SWT/R M17x1.0	28	10	3—4	2	24	2—M5	4.5
SWT/R M18x1.5	30	10	3—4	2	26	2—M5	4.5
SWT/R M20x1.0	32	10	3—4	2	28	3—M5	4.5
SWT/R M20x1.5	32	10	3—4	2	28	3—M5	4.5
SWT/R M22x1.5	35	10	3—4	2	31	3—M5	4.5
SWT/R M24x1.5	38	12	3—5	2	34	3—M6	8
SWT/R M25x1.5	38	12	3—5	2	34	3—M6	8
SWT/R M27x1.5	42	12	3—5	2	38	3—M6	8
SWT/R M30x1.0	45	12	3—5	2	41	3—M6	8
SWT/R M30x1.5	45	12	3—5	2	41	3—M6	8
SWT/R M33x1.5	52	12	3—5	2	48	3—M6	8
SWT/R M35x1.5	52	12	3—5	2	48	3—M6	8
SWT/R M36x1.5	55	14	3—6	2.5	50	3—M6	8
SWT/R M38x1.5	56	14	3—6	2.5	51	3—M6	8
SWT/R M39x1.5	58	14	3—6	2.5	53	3—M6	8
SWT/R M40x1.5	58	14	3—6	2.5	53	3—M6	8
SWT/R M42x1.5	62	14	3—6	2.5	57	3—M6	8
SWT/R M45x1.5	65	14	3—6	2.5	60	3—M6	8
SWT/R M48x1.5	68	14	3—6	2.5	63	3—M6	8
SWT/R M50x1.5	70	14	3—6	2.5	65	3—M8	18
SWT/R M52x1.5	73	16	3—7	3	67	3—M8	18
SWT/R M55x2.0	75	16	3—7	3	69	3—M8	18
SWT/R M56x2.0	77	16	3—7	3	71	3—M8	18
SWT/R M60x2.0	80	16	3—7	3	74	3—M8	18
SWT/R M64x2.0	85	16	3—7	3	79	3—M8	18
SWT/R M65x2.0	85	16	3—7	3	79	3—M8	18
SWT/R M68x2.0	92	18	3—8	3.5	85	3—M8	18
SWT/R M70x2.0	92	18	3—8	3.5	85	3—M8	18
SWT/R M72x2.0	95	18	3—8	3.5	88	3—M8	18

请您留言





Thread	D	h	n-g	t	d	n-m	MAX.Nm
SWT/R M75x2.0	98	18	3-8	3.5	91	3-M8	18
SWT/R M76x2.0	100	18	3-8	3.5	93	3-M8	18
SWT/R M80x2.0	105	18	6-8	3.5	98	3-M8	18
SWT/R M85x2.0	110	18	6-8	3.5	103	3-M8	18
SWT/R M90x2.0	120	20	6-10	4	112	3-M8	18
SWT/R M95x2.0	125	20	6-10	4	117	3-M8	18
SWT/R M100x2.0	130	20	6-10	4	122	3-M8	18
SWT/R M105x2.0	140	22	6-12	5	130	3-M8	18
SWT/R M110x2.0	145	22	6-12	5	135	3-M8	18
SWT/R M115x2.0	150	22	6-12	5	140	3-M8	18
SWT/R M120x2.0	155	24	6-12	5	145	3-M8	18
SWT/R M125x2.0	160	24	6-12	5	150	3-M8	18
SWT/R M130x2.0	165	24	6-12	5	155	3-M8	18
SWT/R M135x2.0	175	26	6-14	6	163	3-M10	35
SWT/R M140x2.0	180	26	6-14	6	168	3-M10	35
SWT/R M145x2.0	190	26	6-14	6	178	3-M10	35
SWT/R M150x2.0	195	26	6-14	6	183	3-M10	35
SWT/R M155x3.0	200	28	6-16	7	186	3-M10	35
SWT/R M160x3.0	210	28	6-16	7	196	3-M10	35
SWT/R M165x3.0	210	28	6-16	7	196	3-M10	35
SWT/R M170x3.0	220	28	6-16	7	206	3-M10	35
SWT/R M180x3.0	230	30	6-18	8	214	3-M12	60
SWT/R M190x3.0	240	30	6-18	8	224	3-M12	60
SWT/R M200x3.0	250	32	6-18	8	234	3-M12	60
SWT/R M210x4.0	270	34	6-18	8	245	3-M12	85
SWT/R M220x3.0	270	34	6-18	8	245	3-M12	85
SWT/R M220x4.0	270	34	6-18	8	254	3-M12	85
SWT/R M230x3.0	280	34	6-18	8	264	3-M12	85
SWT/R M240x3.0	290	34	6-18	8	265	3-M12	85
SWT/R M240x4.0	290	34	6-18	8	274	3-M12	85
SWT/R M245x3.0	295	34	6-18	8	279	3-M12	85
SWT/R M260x3.0	310	36	6-18	8	285	3-M12	85
SWT/R M260x4.0	310	36	6-18	8	294	3-M12	85
SWT/R M275x4.0	325	36	6-18	8	309	3-M12	85
SWT/R M280x4.0	330	36	6-18	8	314	3-M12	85
SWT/R M300x4.0	350	36	6-18	8	334	3-M12	85
SWT/R M440x4.0	520	46	6--20	10	500	6-M20	85
SWT/R M460x4.0	540	46	6--20	10	520	6-M20	85

A Xuzhuang Park Road, Xingren Town, Tongzhou District, Nantong, Jiangsu, China
T +86-513-86222888 F +86-513-85650761

About Us

Product

Company Strength

Contact Us

Company Profile

(/en.php/about/index)

Company History

(/en.php/about/history)

Honors and Rewards

(/en.php/about/honor)

Our Customer

(/en.php/about/customer)

Product Line

(/en.php/product/cate?

id=28)

Application Fields

(/en.php/product/app-list)

Solution

(/en.php/tech/solution?

type=1)

Technical Innovation

(/en.php/tech/innovation)

FAQ

(/en.php/tech/qanda)

Careers

(/en.php/contact/job)

Location

(/en.php/contact/index)

Copyright(C)2009-2017 Jiangsu Swift Machinery Technology Co., Ltd 苏ICP备17027845号-1 (<http://www.miitbeian.gov.cn/publish/query/indexFirst.action>)

DESIGN BY **HANSNBRAND** (<http://hansnbrand.com>)